

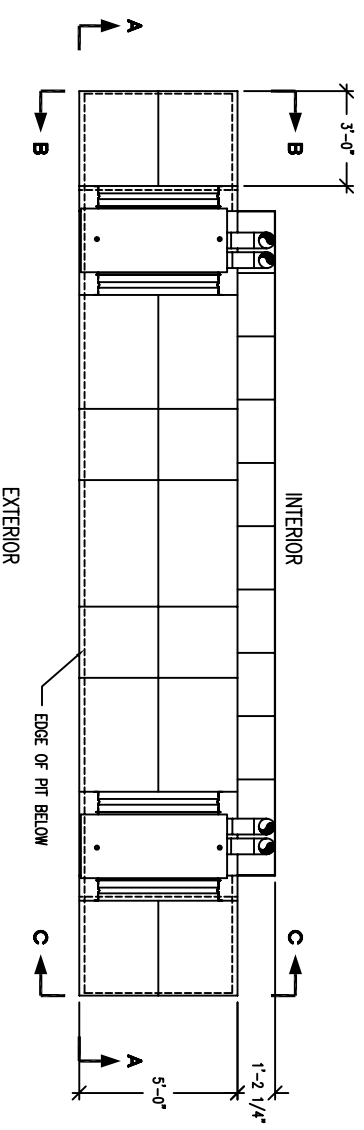
## HEATER SAFETY INTERLOCK NOTE

**WARNING! HEAT CALL FROM BUILDING EMS. SYSTEM MUST FIRST GO THROUGH A RELAY (NO. WHEN DE-ENERGIZED) THAT IS ENERGIZED BY FAN RELAY CONTACTOR SO HEAT CANNOT COME ON UNLESS FANS ARE TURNING.**

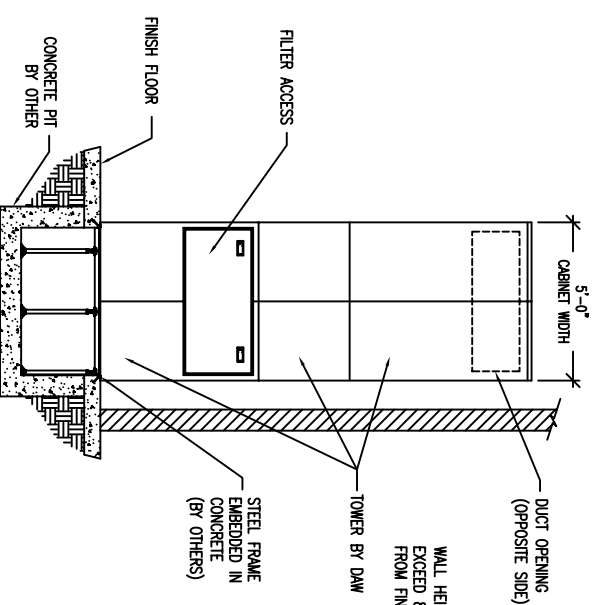
LIGHTING	277VAC / 60hz / 1PH
CONTROL	480VAC / 60hz / 3PH
HEATER (2)	GAS
FAN (3)	5 HP EACH

### NOTES:

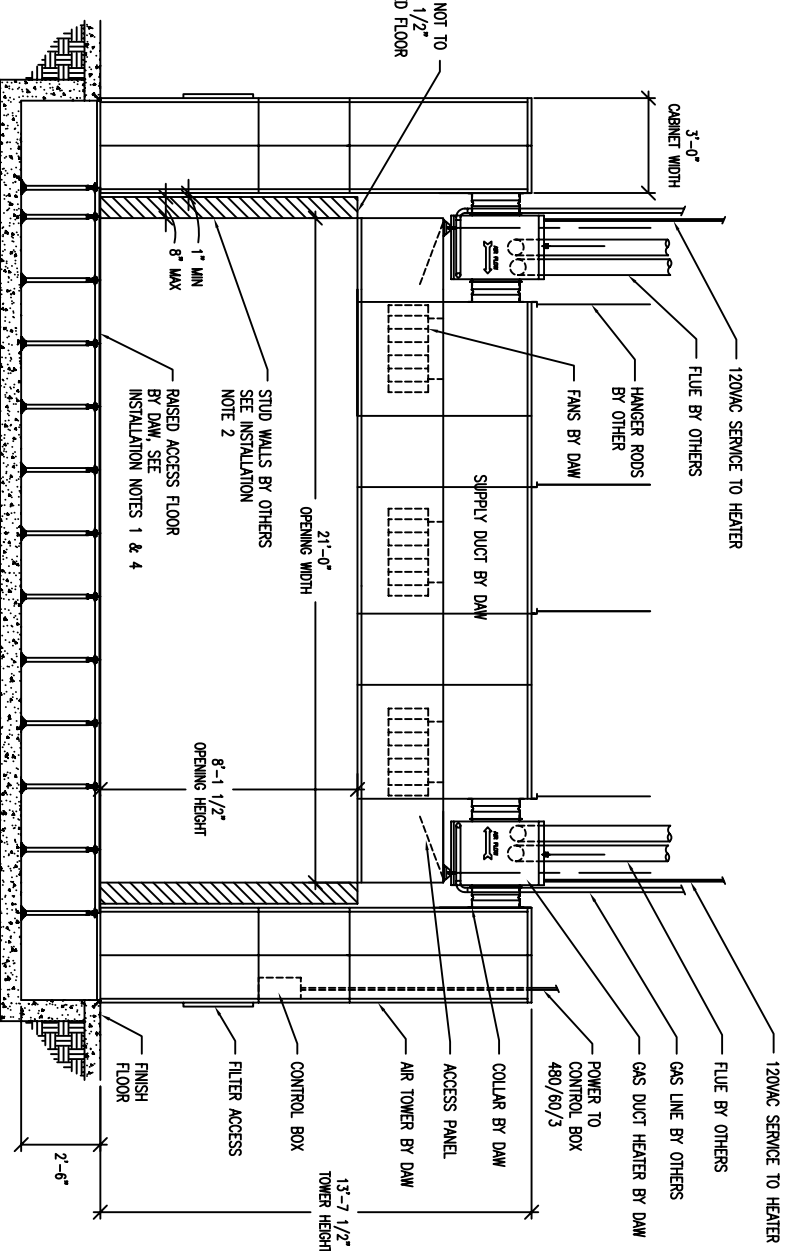
- GENERAL  
THE EQUIPMENT, INSTALLATION, AND WORK PERFORMED MUST CONFORM TO ALL APPLICABLE LOCAL AND NATIONAL CODES.
- INSTALLATION
1. STEEL FRAME EMBEDDED IN CONCRETE.
  2. TOWER (VERTICAL DUCT) AND PLENUM ARE MODULAR AND MAY BE INSTALLED AFTER THE WALLS ARE FINISHED.
  3. ELECTRICAL CONNECTION TO BE PERFORMED BY A QUALIFIED LICENSED CONTRACTOR: (480VAC/60hz/3PH TO UNIT, 277VAC/60hz/1PH TO LIGHTING, 120VAC TO HEATERS).
  4. INSTALL RAISED ACCESS FLOOR PRIOR TO COMPLETION.
  5. GAS LINE AND FLE TO BE FURNISHED AND INSTALLED BY QUALIFIED LICENSED CONTRACTOR(S).



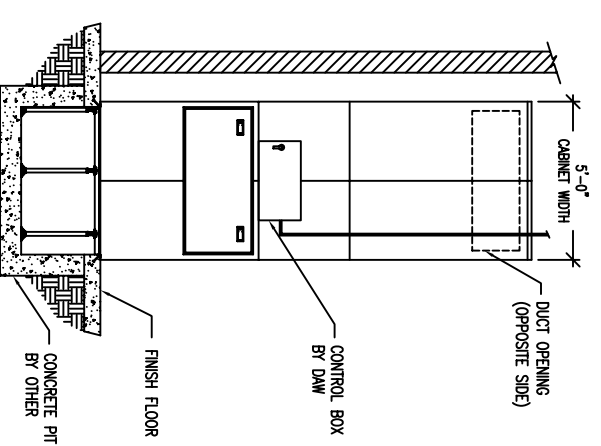
**TOP VIEW**  
N.T.S.



**SECTION B-B**  
N.T.S.



**SECTION A-A**  
N.T.S.



**SECTION C-C**  
N.T.S.

### PARTS INCLUDED

1. RAISED ACCESS FLOORING INCLUDES:  
A. FLOOR PANELS.  
B. FLOOR PEDESTALS.  
C. MOUNTING HARDWARE.
2. TOWER (MODULAR) INCLUDES:  
A. SHEET METAL DUCT (PAINTED)  
B. CONTROL  
1. TRANSFORMER  
2. PROCESSOR  
3. BREAKER (MAIN)  
4. 3 POSITION SWITCH  
5. TEMPERATURE CONTROLLER  
6. CONTACTORS  
7. ENCLOSURE  
C. FILTERS: 16" X 24" X 4"  
3. PLENUM (MODULAR) INCLUDES:  
A. 4'-0" FAN SECTIONS (PAINTED)  
B. 2'-3" NON-FAN SECTIONS (PAINTED)  
C. LIGHTING (FLUORESCENT)  
D. GAS HEATER

THIS DRAWING AND THE INFORMATION SHOWN THEREON IS THE SOLE PRODUCT OF DAW TECHNOLOGIES INC. NEITHER THE DRAWING NOR SUCH INFORMATION IS TO BE USED FOR ANY SUCH PURPOSE OTHER THAN THAT FOR WHICH IT WAS SPECIFICALLY FURNISHED BY DAW TECHNOLOGIES INC. NOR IS ANY REPRODUCTION AUTHORIZED WITHOUT THE EXPRESSED WRITTEN PERMISSION FROM DAW TECHNOLOGIES INC. - PATENTS PENDING

KEYPLAN

Project:  
**EMPROZONE**  
**AIR ENTRANCE**

**DAW TECHNOLOGIES INC.**  
507 572-5100 / FAX: (801) 572-5000 / WWW: www.dawtech.com

**ASSEMBLY AND**  
**INSTALLATION**  
**DETAILS**

DATE: 2/10/05

A.01