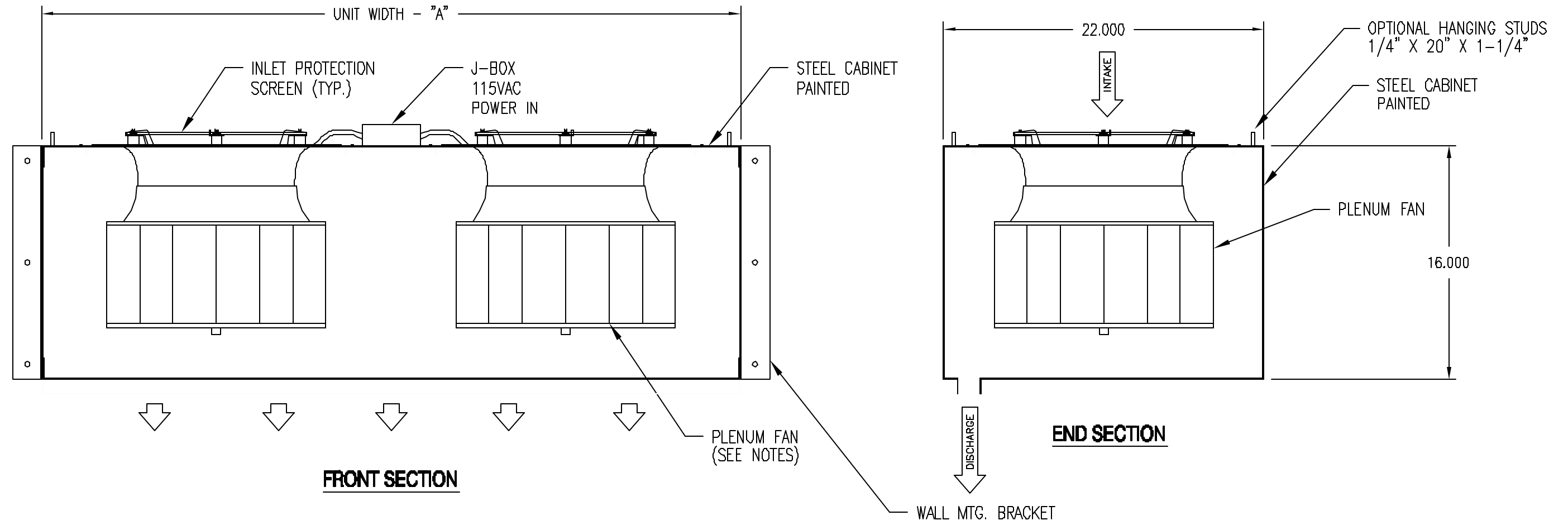


REV	DESCRIPTION	DATE	BY
A	INITIAL RELEASE		
B	DOUBLE-ACCS	6/8/04	JF



MODEL	UNIT WIDTH "A"	QTY FANS	CFM TOTAL	DISC. VEL. (FPM)	MOTOR(S)				REMARKS
					#	HP	V	AMPS/EA	
ACCS-1 66 NH	5'-6"	2	2400	2200	2	0.25	110	5	NO HEAT
ACCS-1 78 NH	6'-6"	2	2400	2200	2	0.25	110	5	NO HEAT
ACCS-1 90 NH	7'-6"	2	2400	2200	2	0.25	110	5	NO HEAT
ACCS-2 66 NH	5'-6"	2	4000	3600	2	0.33	110	7	NO HEAT
ACCS-2 78 NH	6'-6"	2	4000	3600	2	0.33	110	7	NO HEAT
ACCS-2 90 NH	7'-6"	2	4000	3600	2	0.33	110	7	NO HEAT

**DAW TECHNOLOGIES, INC.**  
*Contract Manufacturing Division*  
 2700 South 900 West Salt Lake City, Utah 84119-2418

VENUS HIGH VELOCITY  
 COMMERCIAL AIR CURTAIN MODEL ACCS

DRAWN BY TW	DATE 2/24/04	SCALE N.T.S.	DRAWING NO. ACCS - DBL	REV. B
----------------	-----------------	-----------------	---------------------------	-----------

THIS DRAWING, AND THE INFORMATION SHOWN HEREON, IS THE SOLE PRODUCT OF DAW TECHNOLOGIES INC. NO REPRODUCTION IS AUTHORIZED WITHOUT THE EXPRESS WRITTEN PERMISSION FROM DAW TECHNOLOGIES INC. - PATENTS PENDING